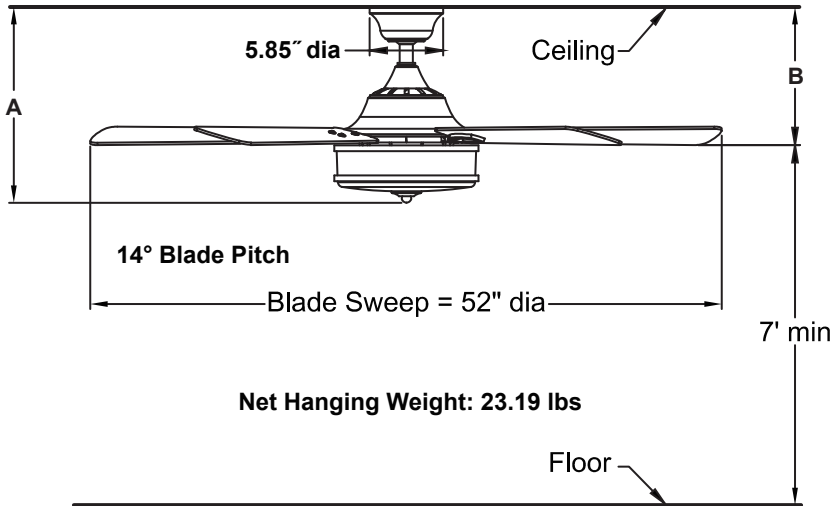


STAFFORD™

PL8274** 52" Ceiling Fan



	A	B
Fan w/4.5" downrod	15.59"	11.00"
Fan w/12" downrod	23.09"	18.50"
Fan w/18" downrod	29.09"	24.50"
Fan w/24" downrod	35.09"	30.50"
Fan w/36" downrod	47.09"	42.50"
Fan w/48" downrod	59.09"	54.50"
Fan w/60" downrod	71.09"	66.50"
Fan w/72" downrod	83.09"	78.50"

Available Finishes

DZ	Dark Bronze with Cherry/Dark Walnut Blade and White Frosted Glass
BN	Brushed Nickel with Cherry/Dark Walnut Blade and White Frosted Glass

INSTALLATION REQUIREMENTS:

Ceiling fan attaches to electrical junction box securely anchored and capable of withstanding a load of at least 35 lbs.

ELECTRICAL REQUIREMENTS:

Ceiling fan requires a grounded electrical supply line of 120 volts AC, 60 Hz, 15 amp circuit.

MOTOR SPECS:

172 x 17 motor is designed for optimal performance with this fan.

BLADE SETS:

A set of five reversible cherry/dark walnut plywood blades is included.

CONTROL OPTIONS:

TR24WH hand-held remote control with wall mount is included. Push button remote control has 3 fan speeds, infin light levels and off button. Optional CWRL4 and C25 wall controls, CRL4WH and CRL8TS hand-held remote controls are available—sold separately. Instructions are provided with each control.

LIGHTING OPTIONS:

Three 40-watt candelabra bulbs included. See our catalog or visit www.fanimation.com for available lighting options.

DOWNROD OPTIONS:

Fan comes with 1" dia. x 4.5" long downrod (DR1-45). Optional downrods available in 12", 18", 24", 36", 48", 60", and 72" lengths. A downrod coupler is available for installations requiring a downrod longer than 72". Fan can be mounted on a sloped ceiling up to 30°. Most sloped ceiling installations require a downrod longer than the standard 4.5" downrod. Optional sloped ceiling ball kits (SCB1-52) are available for slope angles greater than 30° and up to 52°. Optional close-to-ceiling kit is available as well—sold separately. Call technical support for more information.

LOCATION USE:

Fan is rated for dry location only.

Airflow / Energy Efficiency Info (120V)

Fan Speed	Max RPM	CFM	CFM / Watts	Amps	Watts
High	161	4911	88	0.47	56
Med	107	3271	123	0.38	27
Low	53	1632	194	0.25	8

Light Bulb Information (120V)

Bulb Socket	Bulb Type	Watts	Lumens Amount	Color Temp	CRI
E12	Candelabra	40	1200	2300	100%