

Jeremiah

Lighting

28101-HI/BNK

Please read carefully and save these instructions, as you may need them at a later date.

CAUTION

Turn off the main power at the circuit breaker before installing the fixture in order to prevent possible shock.

All electrical connections must be in accordance with local and National Electrical Code (N.E.C.) standards. If you are unfamiliar with proper electrical wiring connections, obtain the services of a qualified electrician.

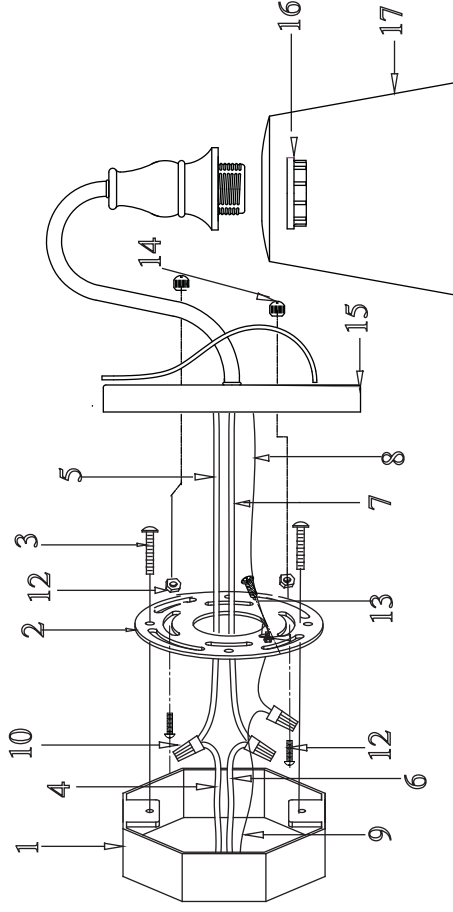
GENERAL

Remove all parts and hardware from the box and mounting package and make sure that none are missing by referencing the illustrations provided.

ASSEMBLY AND INSTALLATION

1. Remove DECORATIVE NUTS (14) from the FIXTURE SCREWS (12). Screw the FIXTURE SCREWS (12) into the MOUNTING PLATE (2) and thread the HEX NUTS (12) onto the FIXTURE SCREWS (12), as shown. Secure FIXTURE SCREWS (12) by tightening the HEX NUTS (12) against the MOUNTING PLATE (2).
2. Carefully pass the power SUPPLY WIRES (4 & 6) and the SUPPLY GROUND WIRE (9) through the center hole of the MOUNTING PLATE (2). Secure the MOUNTING PLATE (2) to the OUTLET BOX (1) (not included) with existing OUTLET BOX SCREWS and WASHERS (3).
3. Attach the BLACK SUPPLY WIRE (4) to the SMOOTH (or BLACK) FIXTURE LEAD WIRE (5) with WIRE CONNECTOR (10). In the same manner, attach the WHITE SUPPLY WIRE (6) to the RIBBED (or WHITE) FIXTURE LEAD WIRE (7). Loop the SUPPLY GROUND WIRE (9) around the GROUND SCREW (13) in the MOUNTING PLATE (2). [Note: Be sure to provide an extra 3in. length of the SUPPLY GROUND WIRE (9) for connection to the FIXTURE GROUND WIRE (8).] Tighten the GROUND SCREW (13). Connect the remaining SUPPLY GROUND WIRE (9) to the FIXTURE GROUND WIRE (8) using a WIRE CONNECTOR (10). Push wiring and connections inside the OUTLET BOX (1).
4. Place the COVER PLATE (15) over the FIXTURE SCREWS and HEX NUTS (12) and secure it with DECORATIVE NUTS (14) provided.
5. Remove SOCKET RING (16). Slide the GLASS SHADE (17) over the socket and secure with the SOCKET RING (16).
6. Install bulb, **MAXIMUM 100W.**

PRESTON HOLLOW



1-LIGHT VANITY

- | | |
|--|---|
| 1. OUTLET BOX (NOT INCLUDED) | 9. SUPPLY GROUND WIRE (not included) |
| 2. MOUNTING PLATE | 10. WIRE CONNECTORS |
| 3. OUTLET BOX SCREW and WASHER
(pre-attached to outlet box) | 12. FIXTURE SCREW and HEX NUT
(pre-attached) |
| 4. BLACK SUPPLY WIRE (not included) | 13. GROUND SCREW (pre-attached) |
| 5. SMOOTH (or BLACK) FIXTURE LEAD WIRE | 14. DECORATIVE NUT |
| 6. WHITE SUPPLY WIRE (not included) | 15. COVER PLATE |
| 7. RIBBED (or WHITE) FIXTURE LEAD WIRE | 16. SOCKET RING |
| 8. FIXTURE GROUND WIRE | 17. GLASS SHADE |